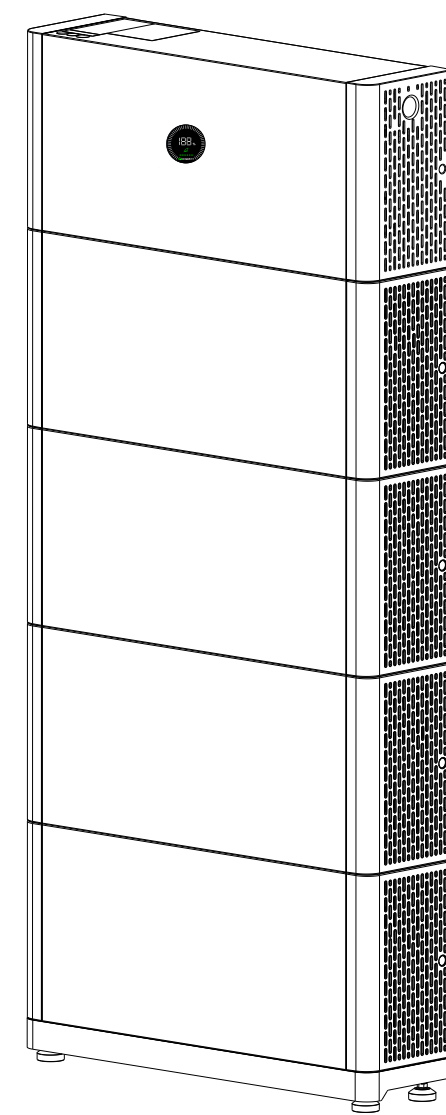


Quick Installation Manual
APX 5.0~30.0P-S2



Environmental conditions

- Max.+50°C
- Min.-10°C
- RH.+5%~+95%

Installation tools

System size

Unit:mm

APX 98034-P2 (Power Module): 690mm x 205mm x 185mm

APX 5.0P-B1 (Battery Module): 690mm x 205mm x 185mm

1.Check

1-1 Check APX 98034-P2 List

Please note the following accessories

APX 98034-P2 (PM)

System cable: to PCS, to PE, to Battery Module

Accessories: A (Operation Manual *1), B (Quick installation manual *1), C (Warranty Card *1), D (Install-location card *1), E (Protective rubber ring *4), F (Anti tipping plate *2), G (M6 explosive screw *2), H (M6x12 stainless steel screws *1), I (M4x9 stainless steel screws *3)

Left trim-cover*1

Right trim-cover*1

1-2 Check APX 5.0P-B1 List

APX 5.0P-B1 (BM)

Parallel cable *1

Trim-cover *2

Warranty card *1

Accessories: A (Anti tipping plate *2), B (M6 explosive screw *2), C (M4x9 stainless steel screws *3)

1-3 Check accessories

APX 98034-P2 (A)

APX 5.0P-B1 (B)

Wall bracket (C)

APX 5.0P-B1 Parallel extension cable (D)

APX 5.0P-B1 Base (E)

Cascading cable (F)

Battery Capacity	Floor Installation Compound Mode	Wall-Mounted Installation Compound Mode
5kWh	A+B+E	A+B+C
10kWh	A+B*2+E	A+B*2+C
15kWh	A+B*3+E	A+B*3+C
20kWh	A+B*4+E	A+B*4+C
25kWh	A+B*5+E*2+D	A+B*5+C*2+D
30kWh	A+B*6+E*2+D	A+B*6+C*2+D
40kWh	A*2+B*8+E*2+F	A*2+B*8+C*2+F
50kWh	A*2+B*10+E*4+D*2+F	A*2+B*10+C*4+D*2+F
60kWh	A*2+B*12+E*4+D*2+F	A*2+B*12+C*4+D*2+F

2.Install Environment

Note: Build sun&rain shade for modules to avoid the direct exposure of sunlight and rain.

3.Floor installation with base

3-1 Installation Location Requirements

Note: For floor installation with base, the maximum stack number of the battery is six. But if the battery number is greater than four, we recommend stacking them in two lines.

3-2 Installation Procedure

Unit:mm

Mounting Hole Dimensions

1

1 Install the connecting pieces on both sides and tighten the two screws.

2 Install the anti tipping plate on both sides and tighten the two screws.

3 Keep the level of Battery Module

4 make a mark on wall to punch then fix the module

2

1 Install-location card ensures alignment marks on the wall.

2 3 4 5 fix the M6 explosive screw in the wall.

3

1 Loosen two screw, move up handle on both sides.

2 Tighten the two screws, fix the two battery modules.

3 Install the connecting pieces on both sides and tighten the two screws.

4 secure the module on both sides to the wall.

4

1 Loosen two screw, move up handle on both sides.

2 Tighten the two screws, fix the battery and the power modules.

3 Install the connecting pieces on both sides and tighten the two screws.

4 secure the module on both sides to the wall.

4. Wall-Mounted Installation Process

4-1 Installation Location Requirements

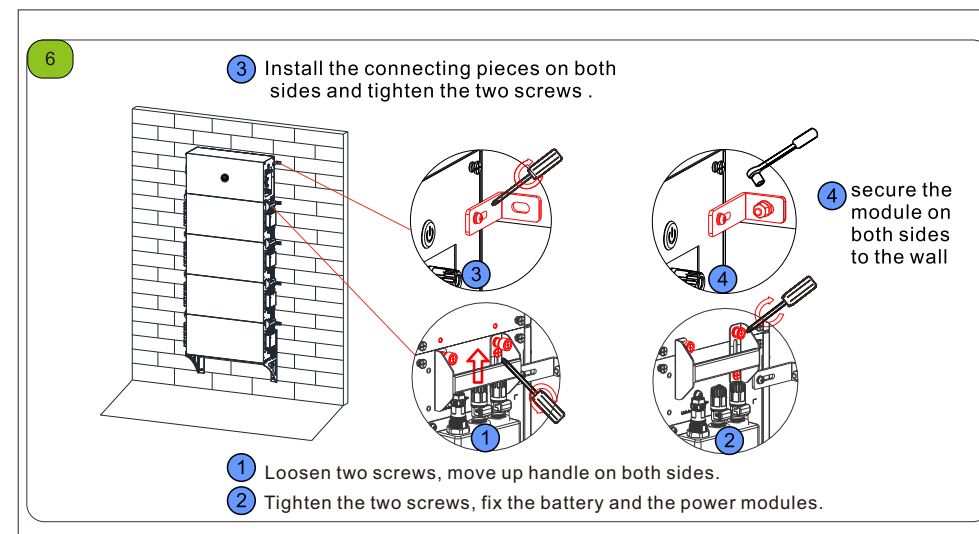
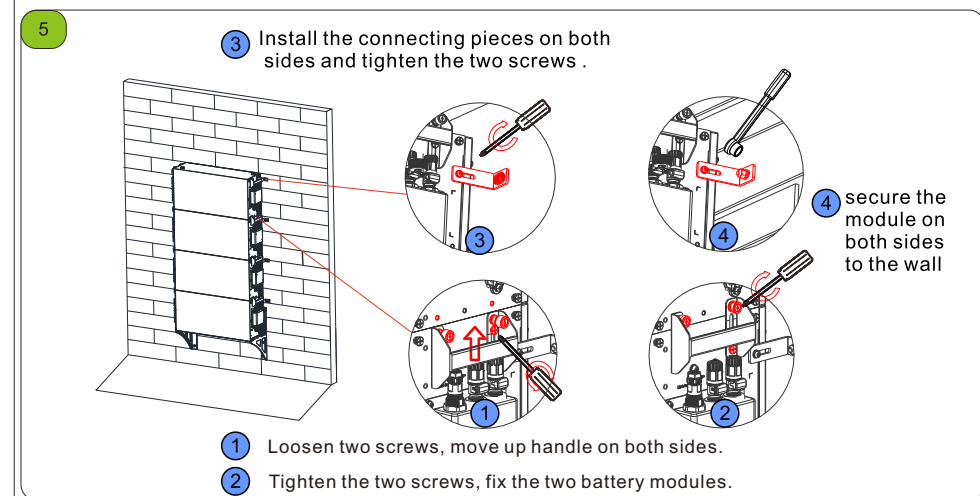
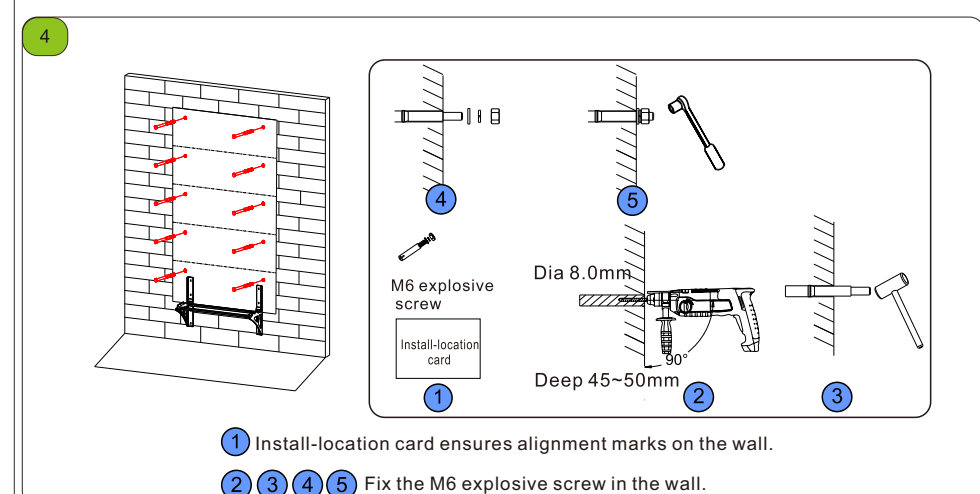
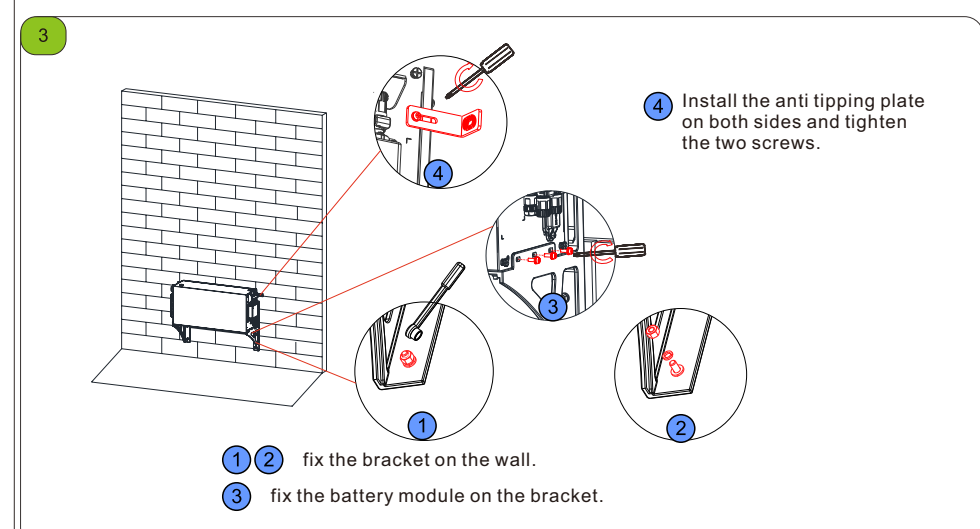
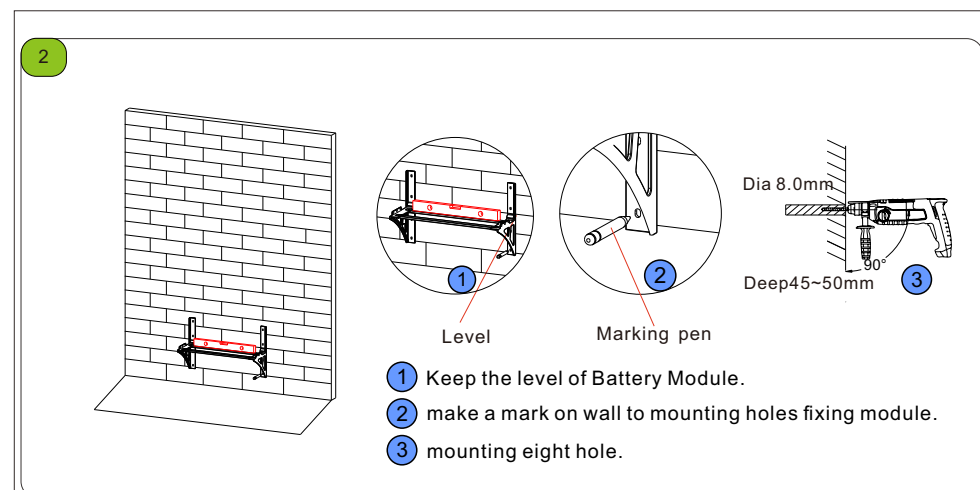
Note: The number of wall-mount installations should not exceed five. Please make sure that the weight capacity of wall should exceed 280kg.

4-2 Installation Procedure

Unit:mm

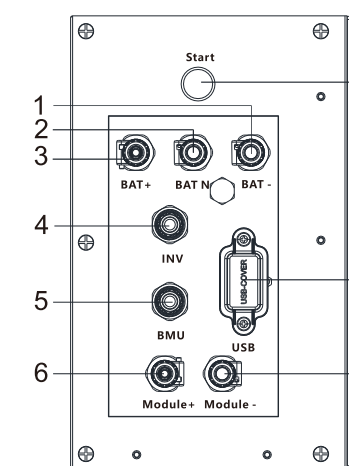
Mounting Hole Dimensions

1 install the wall bracket



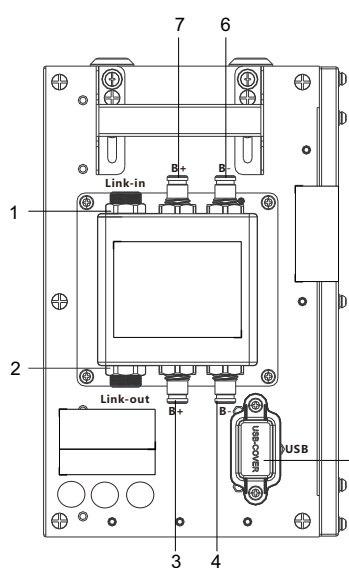
5.Wire Connection

5-1 APX 98034-P2 Connection end face introduction



1	BAT -	Battery negative terminal to PCS
2	BAT N	Battery neutral terminal to PCS
3	BAT+	Battery positive terminal to PCS
4	INV	Inverter communication to PCS
5	BMU	Battery module communication to battery(Link-in)module
6	Module+	Battery module positive terminal to battery(B+) module
7	Module-	Battery module negative terminal to battery(B-) module
8	USB	USB terminal
9	Start	Start key

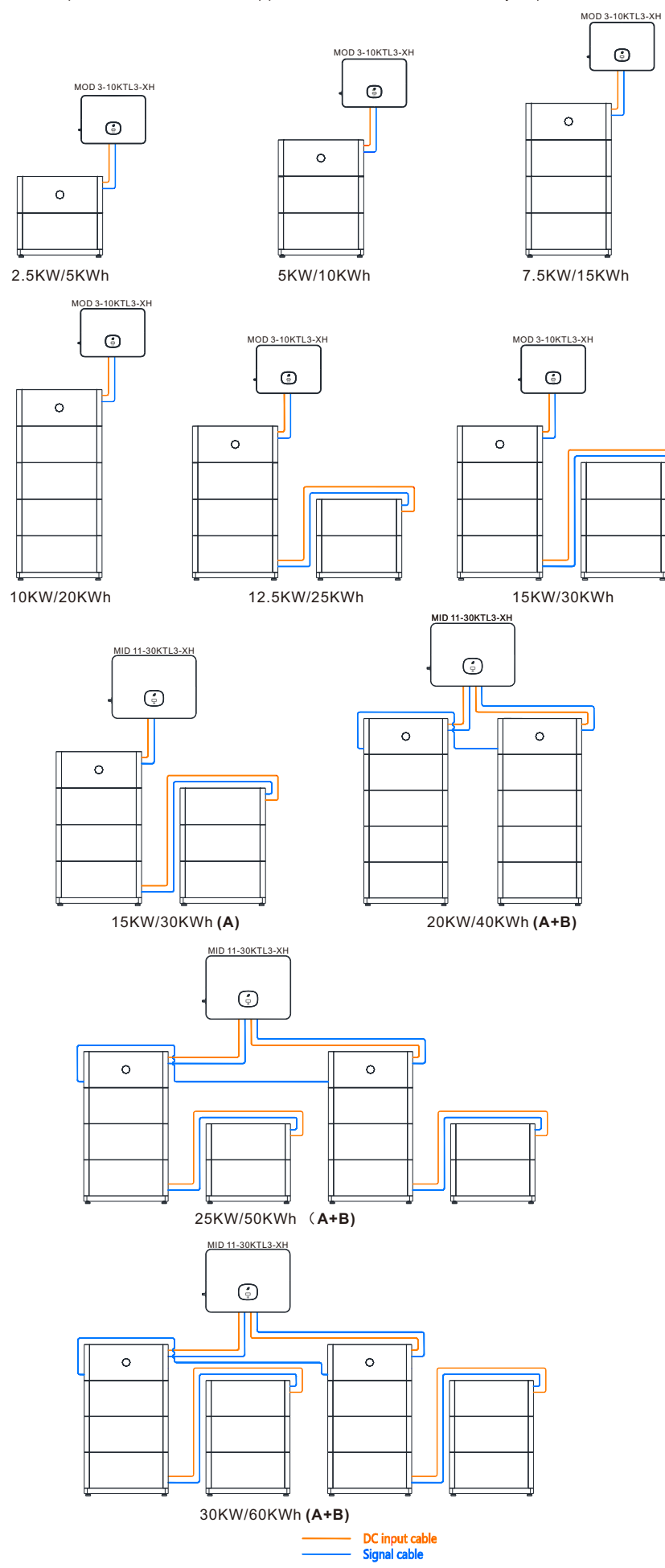
5-2 APX 5.0P-B1 Connection end face introduction



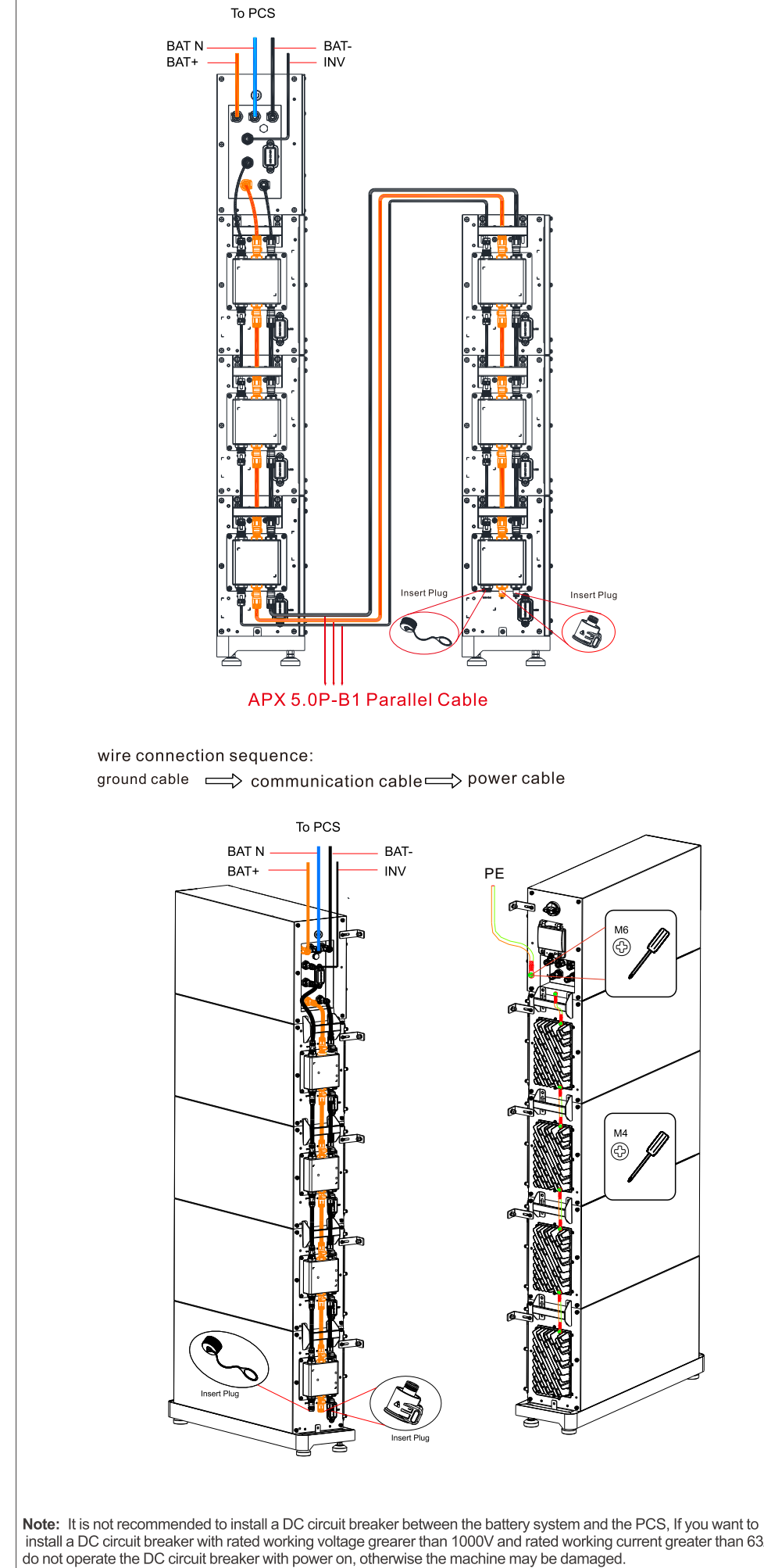
1	Link-in	Link-in communication to another battery(Link-out) or power module(BMU)
2	Link-out	Link-out communication to another battery(Link-in) module
3	B+	Battery positive terminal to another battery(B+) module
4	B-	Battery negative terminal to another battery(B-) module
5	USB	USB terminal
6	B-	Battery negative terminal to another battery(B-) or power module (Module-)
7	B+	Battery positive terminal to another battery(B+) or power module (Module+)

5-3 Battery Capacity Description

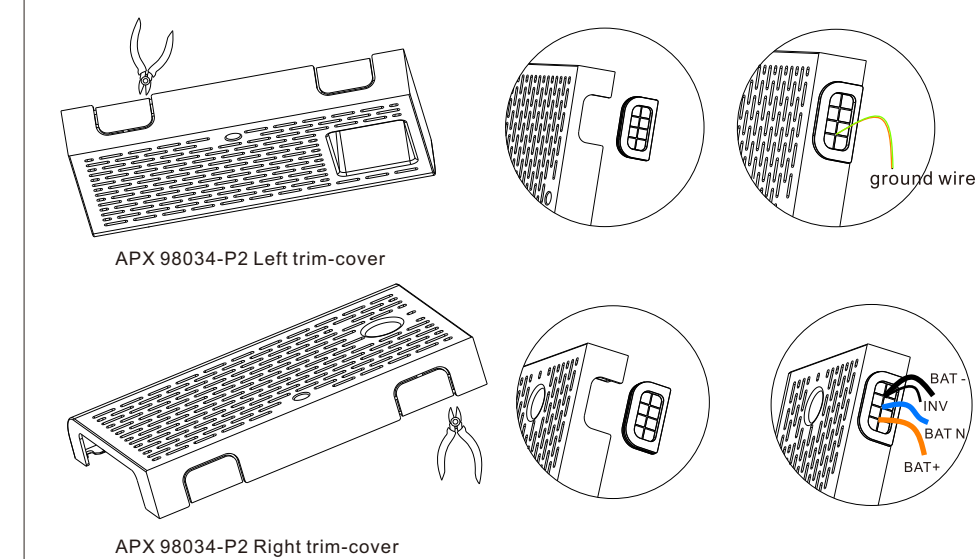
The battery supports power and capacity expansion. Two power control modules can be connected in parallel. One power control module supports a maximum of four battery expansion modules.



5-4 Diagram of wiring connection

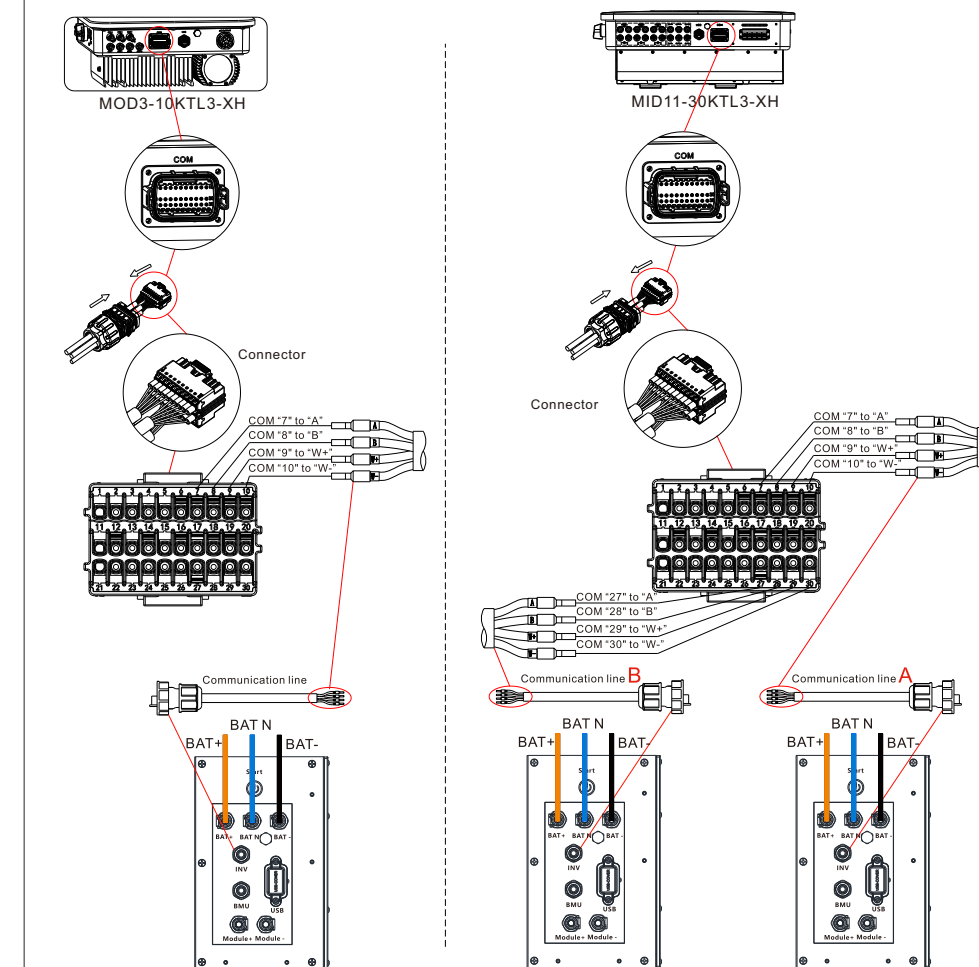


5-5 Routing Cables Out of the Cable Hole

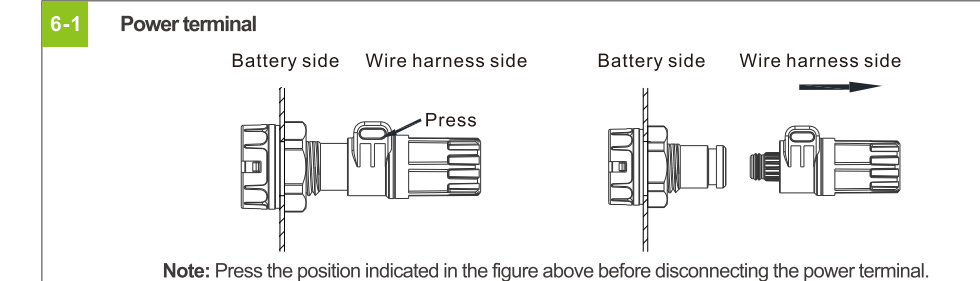


5-6 Communication port connection

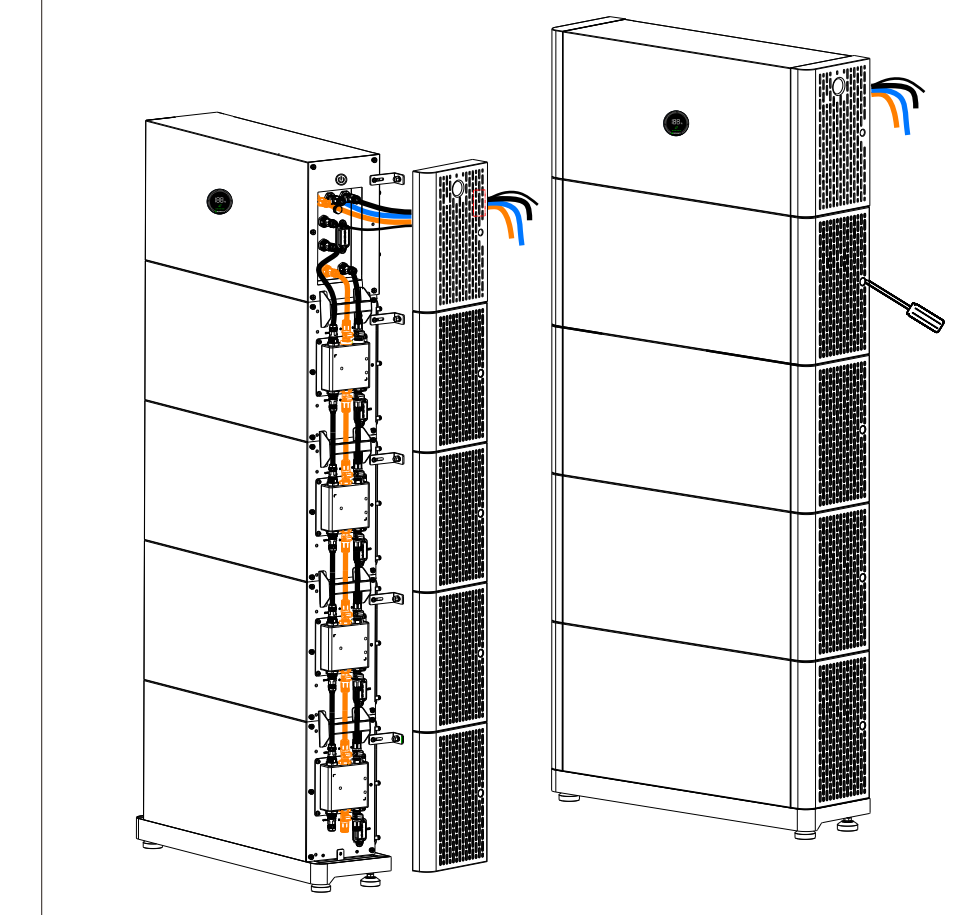
APX 5.0-30.0P-S2			MOD 3-10KTL3-XH			MID 11-30KTL3-XH			
Silk screen	Terminal serial number	Definition	Silk screen	Terminal serial number	Definition	Silk screen	Terminal serial number	Definition	
INV	1	WAKE-(W-)	COM	10	BAT.EN-	A	10	30	BAT.EN-
	2	WAKE+(W+)		9	BAT.EN+		B	9	29
	7	RS485_B(B)		8	RS485B2	8		28	RS485B2
	8	RS485_A(A)		7	RS485A2	7	27	RS485A2	



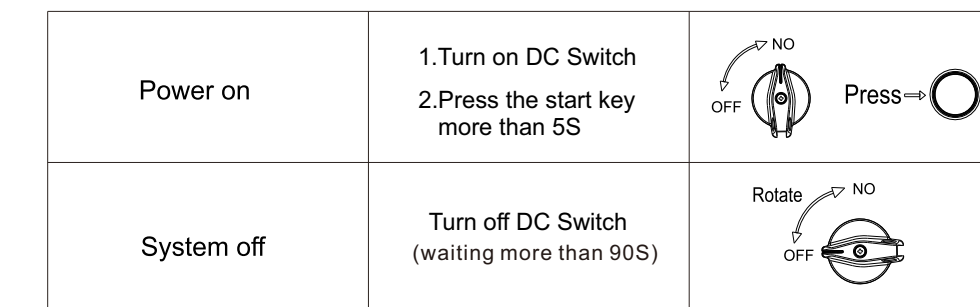
6.Terminal Connection



6-2 Install Trim-cover



7.Key operation



Note: When multiple battery systems are used in parallel connection, you only need to press the start key of and module to start the system.

8.Service and contact

Shenzhen Growatt New Energy Co., Ltd
4-13/F, Building A, Sino-German(Europe) Industrial Park,
Hangcheng Ave, Bao'an District, Shenzhen, China
+86 755 2747 1942 service@ginverter.com
Www.ginverter.com

